

The Year in Brief

This past year, we have been fortunate to have completed a wide variety of projects from solar trackers to industrial equipment to specialty finite element analysis projects. Even though new product development took a respite, we were able to work with several entrepreneurs to develop new industrial tie downs, a children's wagon, a medical training device, and an HVAC flow meter. It was a busy year and we look forward to gaining new customers and business relationships in the near future.

Phoenix, AZ - Proof Completes Solar Tracker for USAA

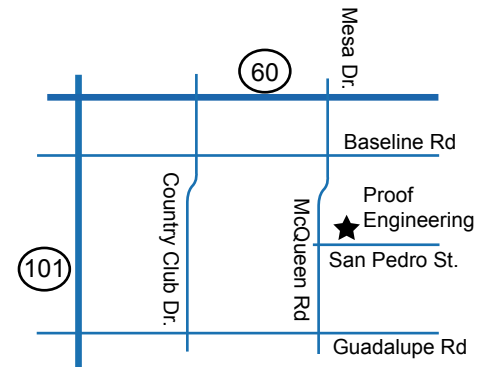
USAA insurance company goes green with the help of Proof Engineering and Viasol Energy. The garage-top mounted solar tracking system features approximately 2,400 solar modules and provides the Phoenix facility with 9% of its total power consumed. As an added benefit, the modules provide workers with 250 shaded parking places.



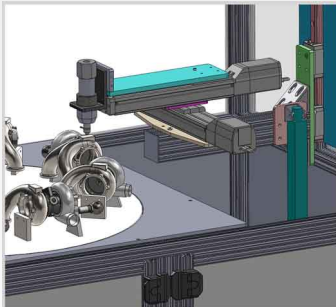
Contact Us

Proof Engineering Co.
1528 W. San Pedro St. Suite 4
Gilbert, AZ 85233

Phone: 480.478.0041 (Ext. 101)
Email: info@proofengineering.com
website: www.proofengineering.com



Demand Increases for Industrial Machines



As the economy recovers, Proof Engineering has benefited from increased productivity in the manufacturing sector. We recently completed numerous automated machines including: laser markers, a silicon wafer processing machine, and a pneumatic fabric installing machine. With the conclusion of each project, we continually improve on our process and identify ways to add value to our existing and future customers.

Proof Supports Evergreen Telemetry's New Product

Engineers at Proof Engineering worked with Evergreen Telemetry to design a traverse tool used to collect data including temperature, pressure, and air velocity. Technicians and engineers in industries such as HVAC, will soon be able to use this versatile tool that may be configured to work hands-free, improving the efficiency and safety of the operator. The success of the project has led to a continuous relationship with Evergreen and we look forward to assisting in the design of their entire product line.



“*The professionals at Proof Engineering deliver excellent service and support. They are proficient with designing and fabricating in plastic and metals. The engineers spend enough time discussing the project goals in depth so they can offer the best all-around solution. They operate as if they are an extension of in-house engineering at my small company. I'm giving them an increasing share of our design work.*”
Evergreen Telemetry, CEO

What we do

We are engineering problem solvers who can help you to:

- Develop or improve on products
- Reduce manufacturing costs
- Resolve technical issues
- Investigate and correct failures
- Design test and validation programs
- Comply with safety regulations
- Enhance FEA and CAD capabilities

Our Specialties

- Solar energy projects
- Material handling equipment
- Manufacturing automation
- Specialty vehicle design
- Transportation seating systems
- System integration
- Design for manufacturing
- Functional prototypes
- Jig and fixture design